



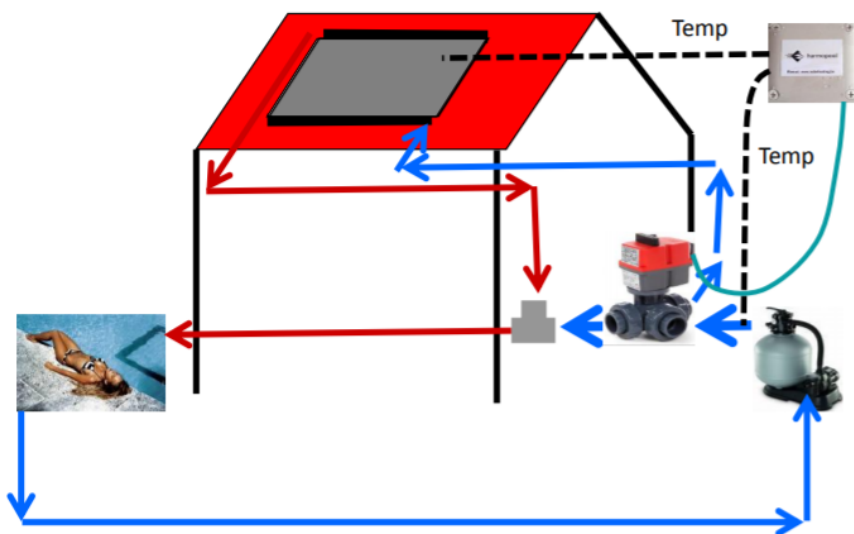
**BENIFERRO.eu**  
plug & play products

# Connection Scheme

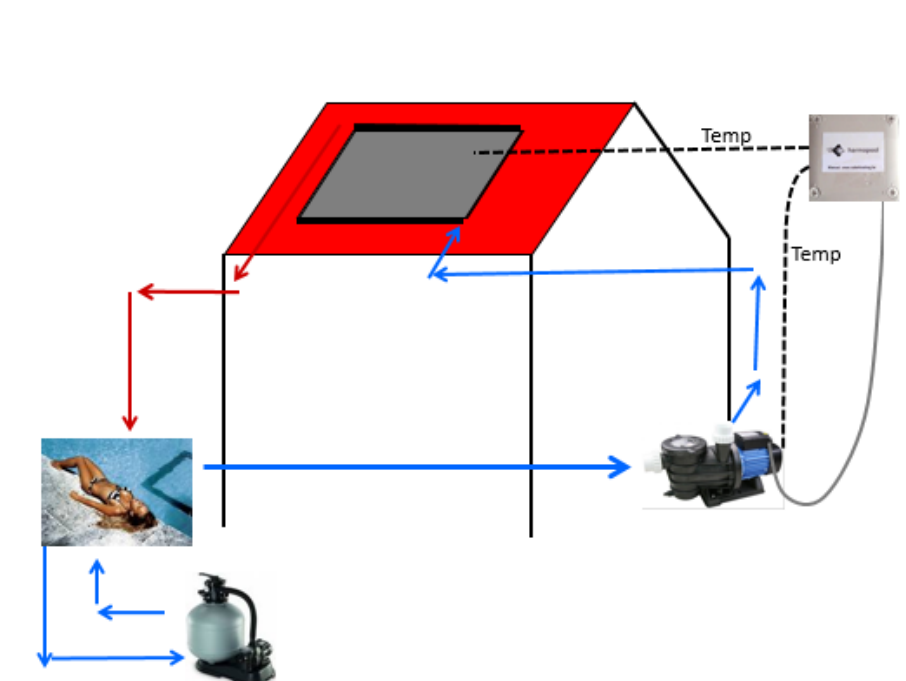
**Benisol**



## 1 Connection scheme 3-way valve



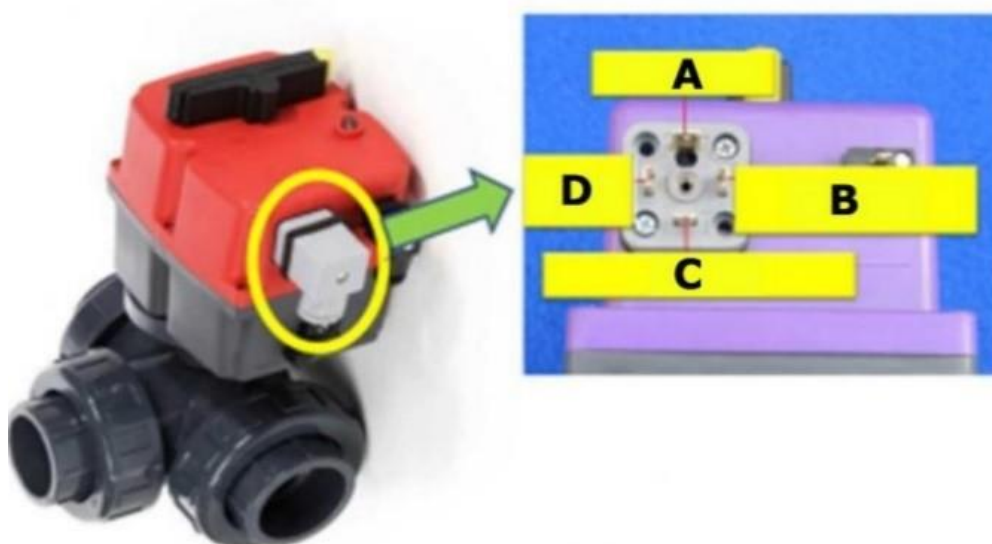
## 2 Connection scheme circulation pump



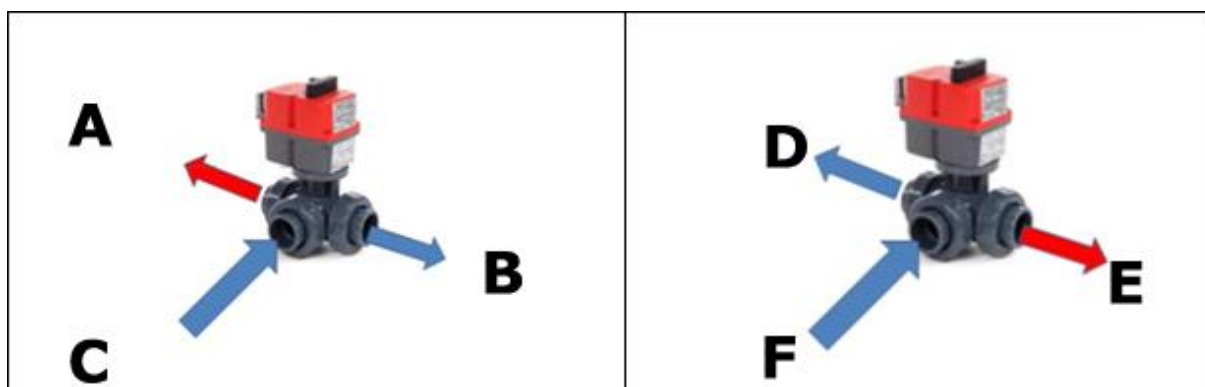


### 3-way valve / circulation pump – Benisol connection

- 3-way valve



- A (yellow-green) = earth
- B = black on Benisol
- C = Brown on Benisol
- D = Grey (or blue) on Benisol



Switch hot water sense by switching

- Circulation pump

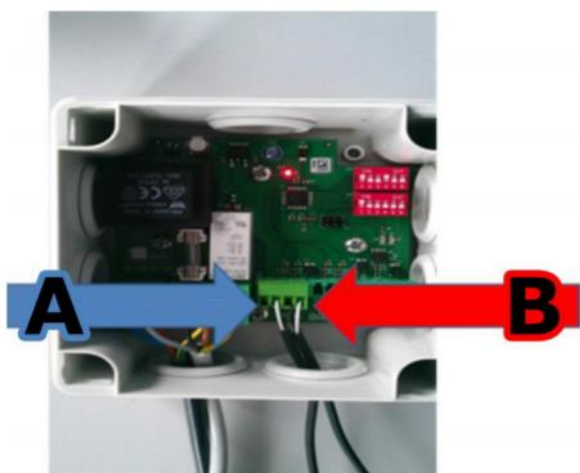
If connecting a filter pump : only use black and grey cable – isolate the brown cable. Max 1150W





## 4 Benisol conection and setting

- Connecting temp probes



A = cold water temperature

B = temperature in sun on the roof

température du panneau EPDM (A) et de l'eau de la piscine (B) .

- Setting dip switch



### Setting temp difference

0°C = 100000  
1°C = 100001  
2°C = 100010  
3°C = 100011  
4°C = 100100  
5°C = 100101  
6°C = 100110  
7°C = 100111  
8°C = 101000  
9°C = 101001

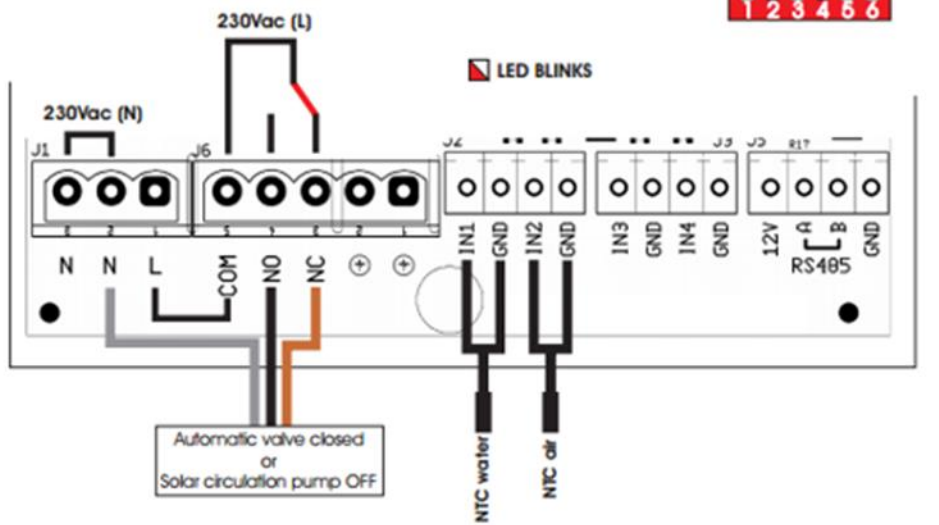
### Setting max temperature

22°C = 010110  
24°C = 011000  
26°C = 011010  
28°C = 011100  
30°C = 011110  
32°C = 100000  
34°C = 100010

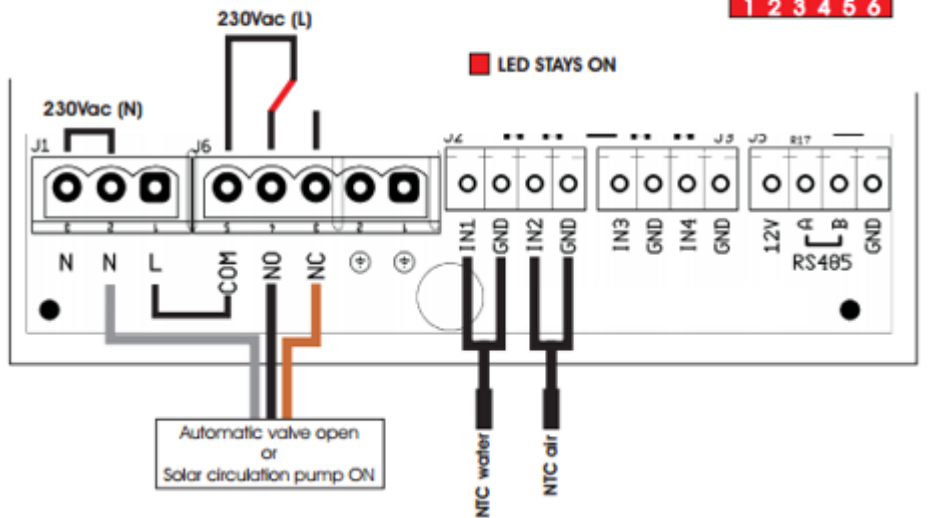


## OAF 100

If  $T^{\circ} \text{ water} > \text{setpoint (ex: } 20^{\circ}\text{C)}$   
LED blinks



If  $(T^{\circ} \text{ air} - T^{\circ} \text{ water}) > \text{setpoint (ex: } 4^{\circ}\text{C)}$   
and  $T^{\circ} \text{ water} < \text{setpoint (ex: } 20^{\circ}\text{C)}$   
LED stays on



**BENIFERRO.eu**  
plug & play products