



BENIFERRO.eu
plug & play products

Quickstart guide Benisol

ZVZX6141-P



Table of contents

Introduction	3
Assembly	4
1. Connecting the valve	4
.....	5
2. Temperature sensors of the Benisol	5
3. Setting the delta-temperature and maximum water temperature on the Benisol	6
4. Connecting the automatic valve with the Benisol	7
5. Connecting the Benisol to a filter pump (Max. 1150 watt)	8
6. Connection scheme of the Benisol	9
What to do in case of power outage – manual operation	10

Introduction

This Benisol plus control unit is made in Belgium by Beniferro and is of the highest quality. This solar heating control unit measures pool and solar heating temperature, and activates an automated valve of a swimming pool pump. Compared to the Benisol base unit, the Benisol plus can stop the solar heating in case a pre-set maximum pool water temperature is reached. The 3 way valve has gear wheels made of steel and are virtually unbreakable. Please read the Benisol Plus instructions before installing the automatic 3-way valve or the pool pump solar heating control.

Attention!

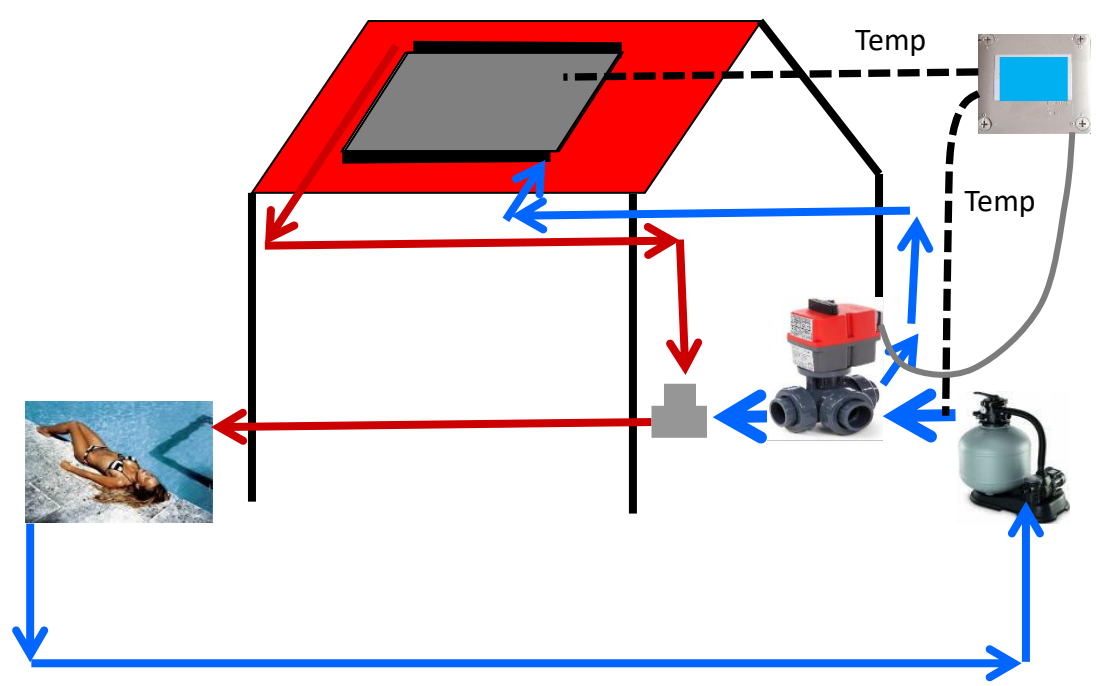
- Damage caused by not following these introductions is not covered by warranty.
- The J2-H series is suitable for voltages between 85-240V. With normal use it's not needed to remove the cap of the automatic 3-way valve. During proceedings you need to make sure the voltage is turned off. It is recommended to let the electrical installation be adjusted by a qualified technician.
- The automatic 3-way valve is controlled by micro switch. If the power supply is interrupted when the valve was opening or closing, the valve will stop. As soon as the valve receives power again, the valve will continue in the same position.



Assembly

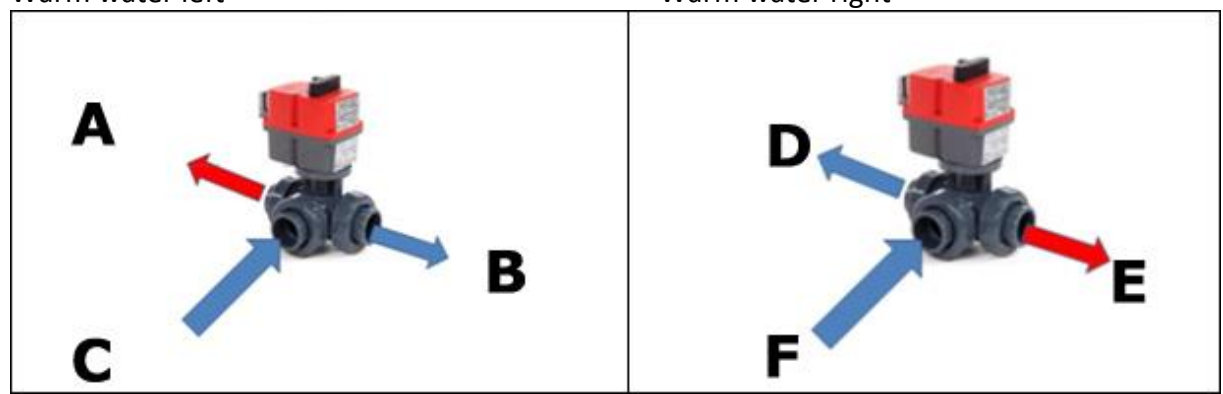
1. Connecting the valve

The valve is connected to the pool tubing according to the connection scheme below. As the water enters the valve from the front, it is possible to have the solar heating to the left or to the right side of the valve by adjusting the wiring (see 4. Connecting the automatic valve with the **Benisol**)



Warm water left

Warm water right

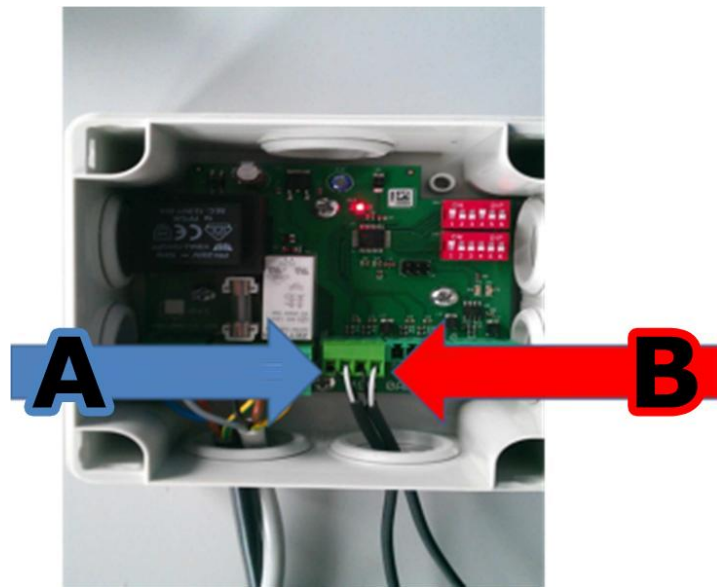




2. Temperature sensors of the Benisol

The left temperature probe is used for the cold pool water thermometer (A). This temperature probe is put via a T-piece and a 1/2 inch Teflon insert (C) in the filter outlet.

The right temperature probe is used for the solar heating air thermometer (B). The air thermometer should be on top of the solar panels fully exposed to the sun.



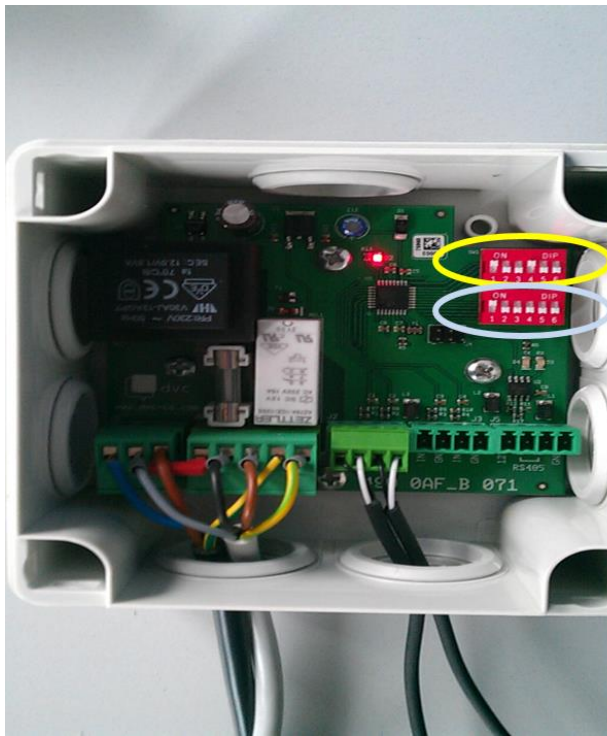
3. Setting the delta-temperature and maximum water temperature on the Benisol

Choose the maximum temperature difference between the outer air and the water (Yellow circle). Usually a difference of 4 degrees is chosen. In the example photograph below : when the outer air is more than 4°C warmer than the water, the automatic valve (or pump) will be activated and the will send pool water through the heating system.

To set the maximum pool water temperature, it is necessary to make sure the switch in the blue circle (left top) to position 1.

The maximum water temperature is then set on the bottom switches (blue circle)

Usually a max temperature of 32 degrees is chosen. In the example photograph below : when the pool water temperature is more than 32°C , the automatic valve (or pump) will be deactivated and the will Not send water through the heating system



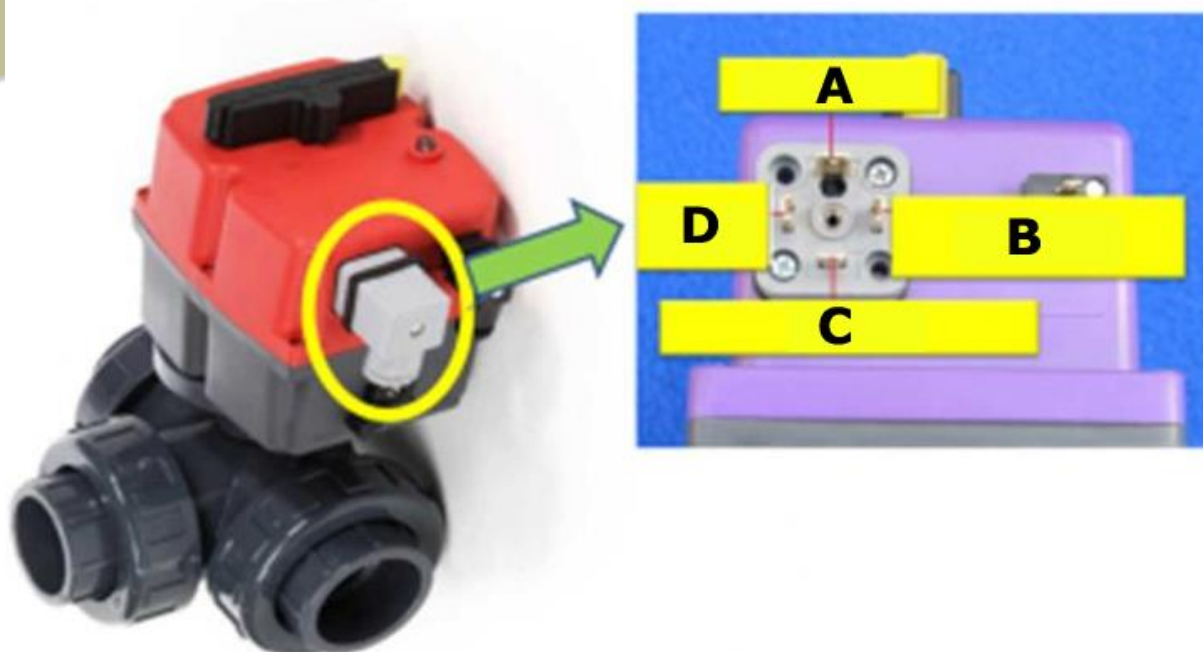
Setting temp difference

- 0°C = 100000
- 1°C = 100001
- 2°C = 100010
- 3°C = 100011
- 4°C = 100100
- 5°C = 100101
- 6°C = 100110
- 7°C = 100111
- 8°C = 101000
- 9°C = 101001

Setting max temperature

- 22°C = 010110
- 24°C = 011000
- 26°C = 011010
- 28°C = 011100
- 30°C = 011110
- 32°C = 100000
- 34°C = 100010

4. Connecting the automatic valve with the Benisol



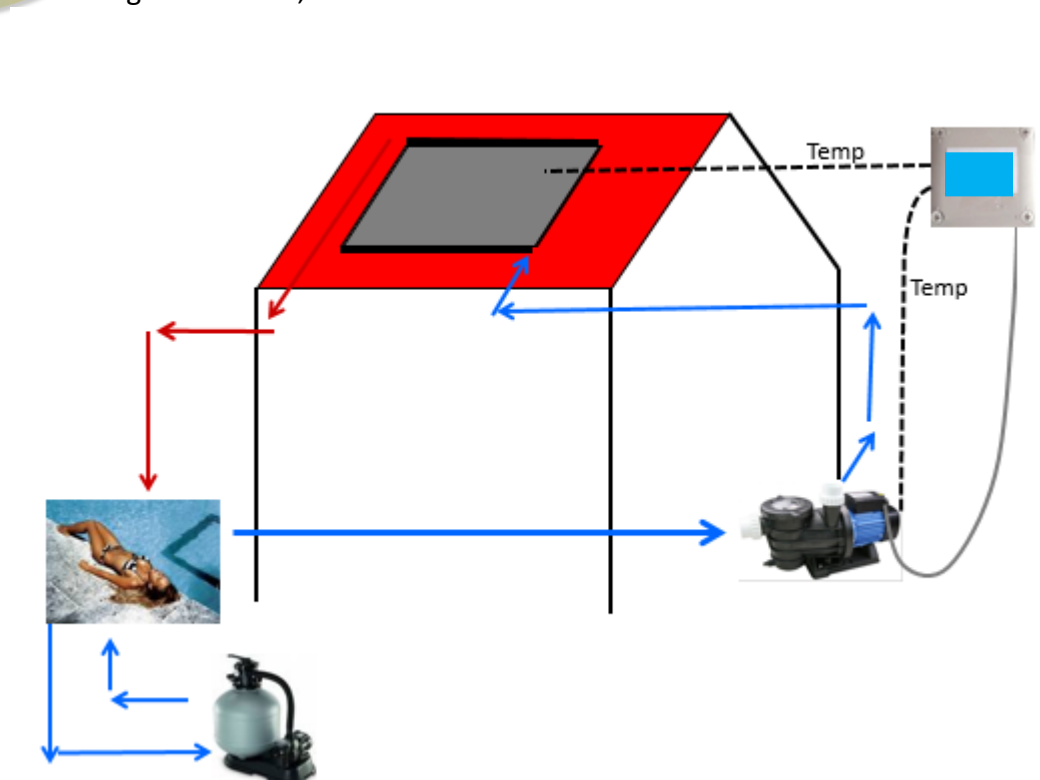
A	Earthing
B	Black
C	Brown
D	Blue or Grey

The Benisol has been cabled beforehand. In the picture above, you can find the instructions regarding the connections. In this case, the warm water will be sent to the left. By switching the black and brown wire, the warm water will be sent to the right. The little black connecting cap is not used.

5. Connecting the Benisol to a filter pump (Max. 1150 watt)

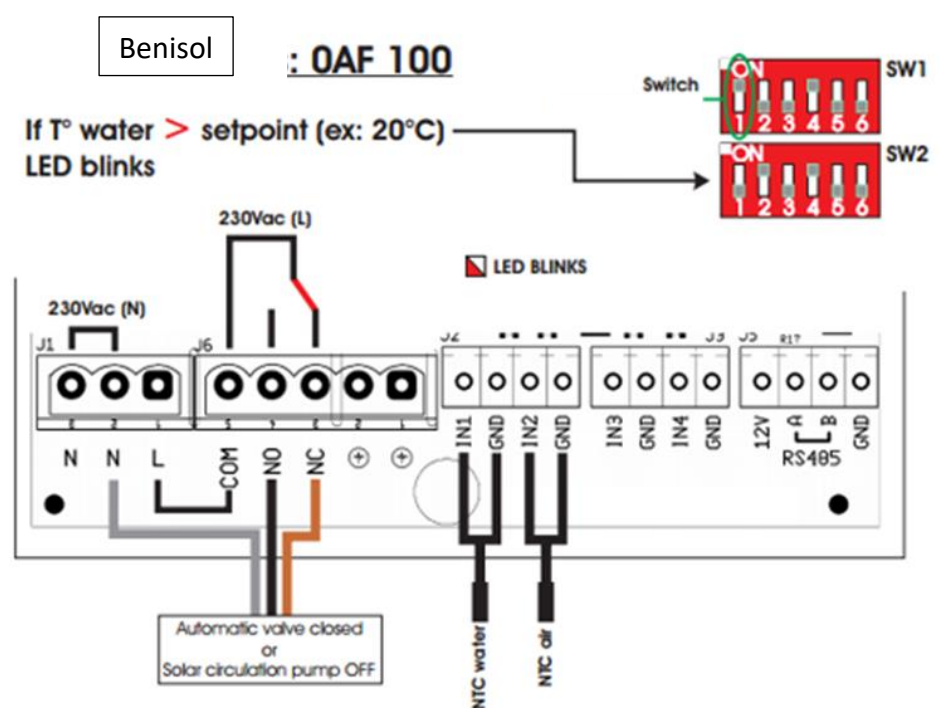
It is possible to control the flow through the solar heating system via a separate circulation system with pump, rather than via an automated valve. The maximum power of the pump is 1150 watt

In this case, the black and the grey cables are to be connected to the circulation pump. The remaining brown wire, needs to be isolated as it can be loaded with 240V.

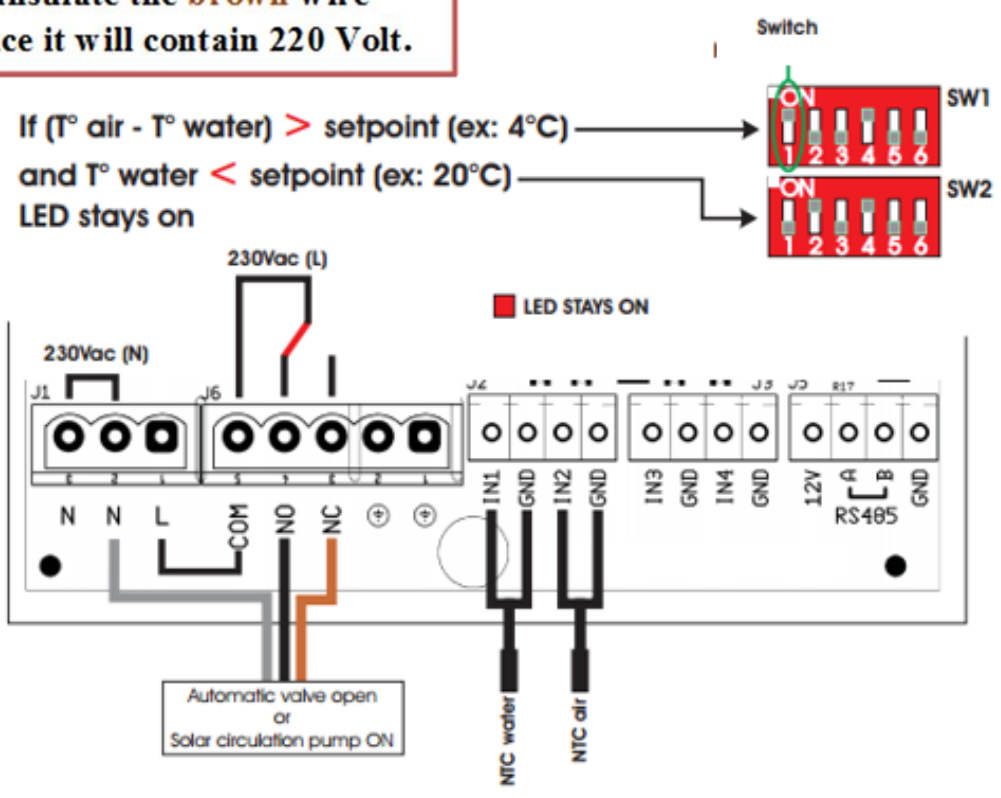




6. Connection scheme of the Benisol



Attention! → It is necessary to insulate the brown wire since it will contain 220 Volt.





What to do in case of power outage – manual operation

The automatic 3-way valve can also be used to manually, for example during a power outage. This can be done by placing the levers on the side on MANUAL instead of AUTOMATIC.



AUTO = automatic operation
MAN = manual operation

Attention!: the difference between the positions AUTO and MAN isn't more than 10°. Do not use force to prevent damage.